

Installation instructions for PZ4AL-03011-00, PZ4AL-03012-00 Under Run Protective Shield Engine Bay and Transmission Case

TOYOTA Camry



Model Year:

Camry - 2017

Vehicle Code:

Part Number:

Steel: PZ4AL-03011-00
Aluminium: PZ4AL-03012-00



Weight:

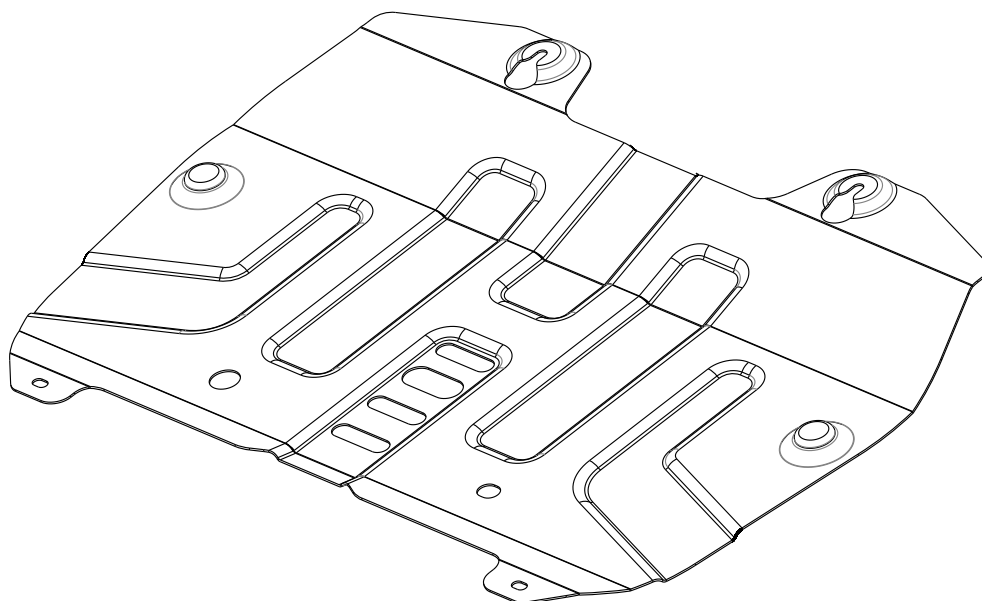
Steel: 8,16 kg
Aluminium: 4,54 kg



Installation Time:

30 min

A



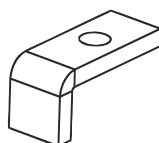
PZ4AL-03011-60

B



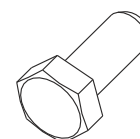
2x

C



2x

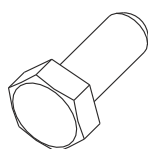
D1



M10x40

2x

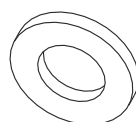
D2



M10x90

2x

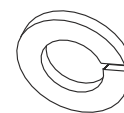
E



Ø 10

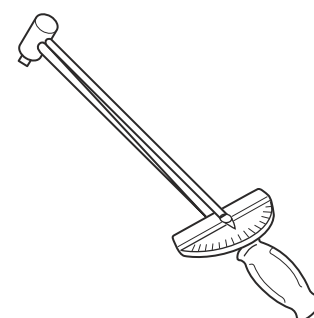
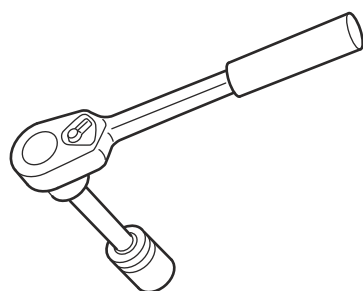
4x

F

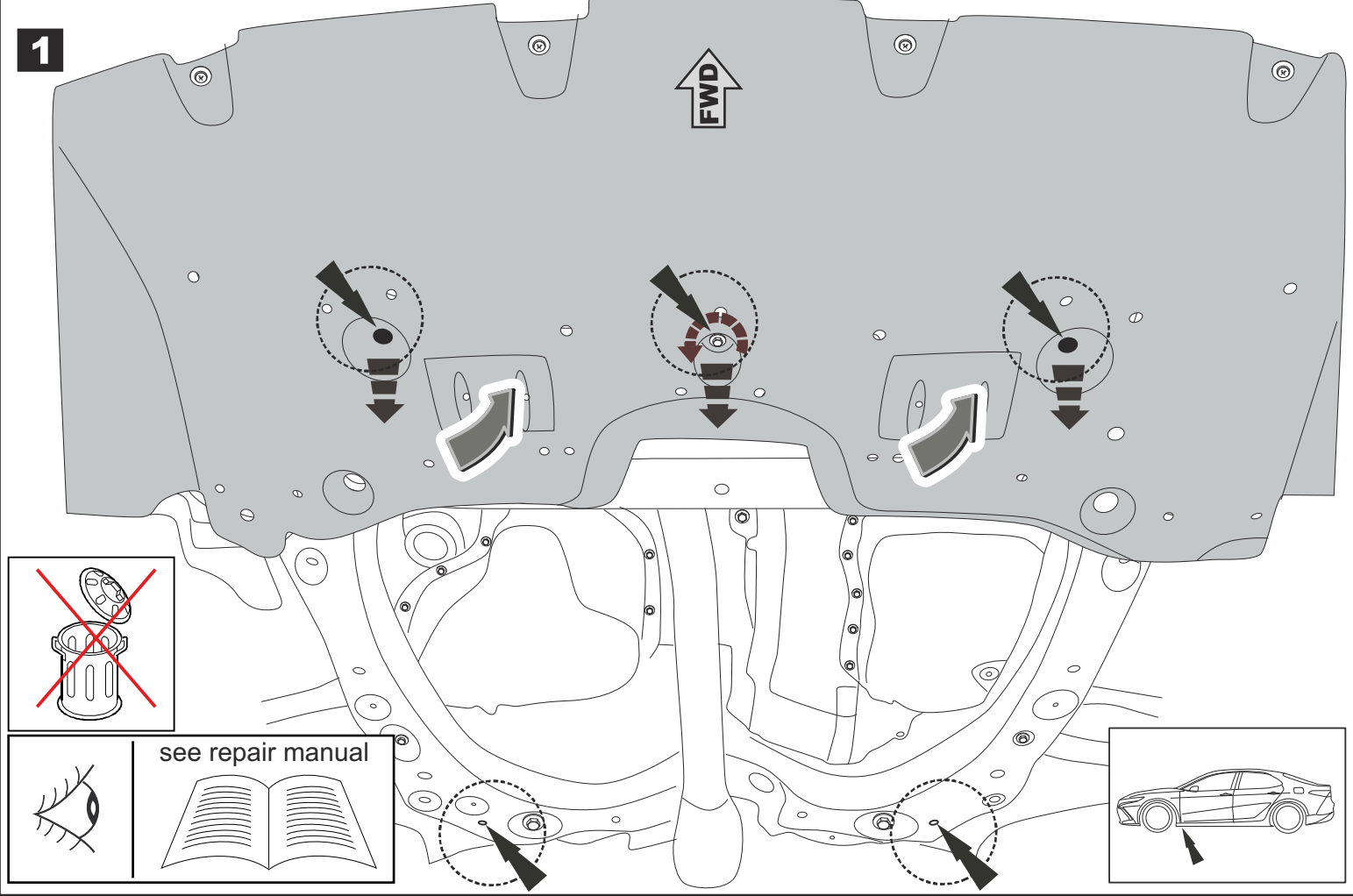


Ø 10Г

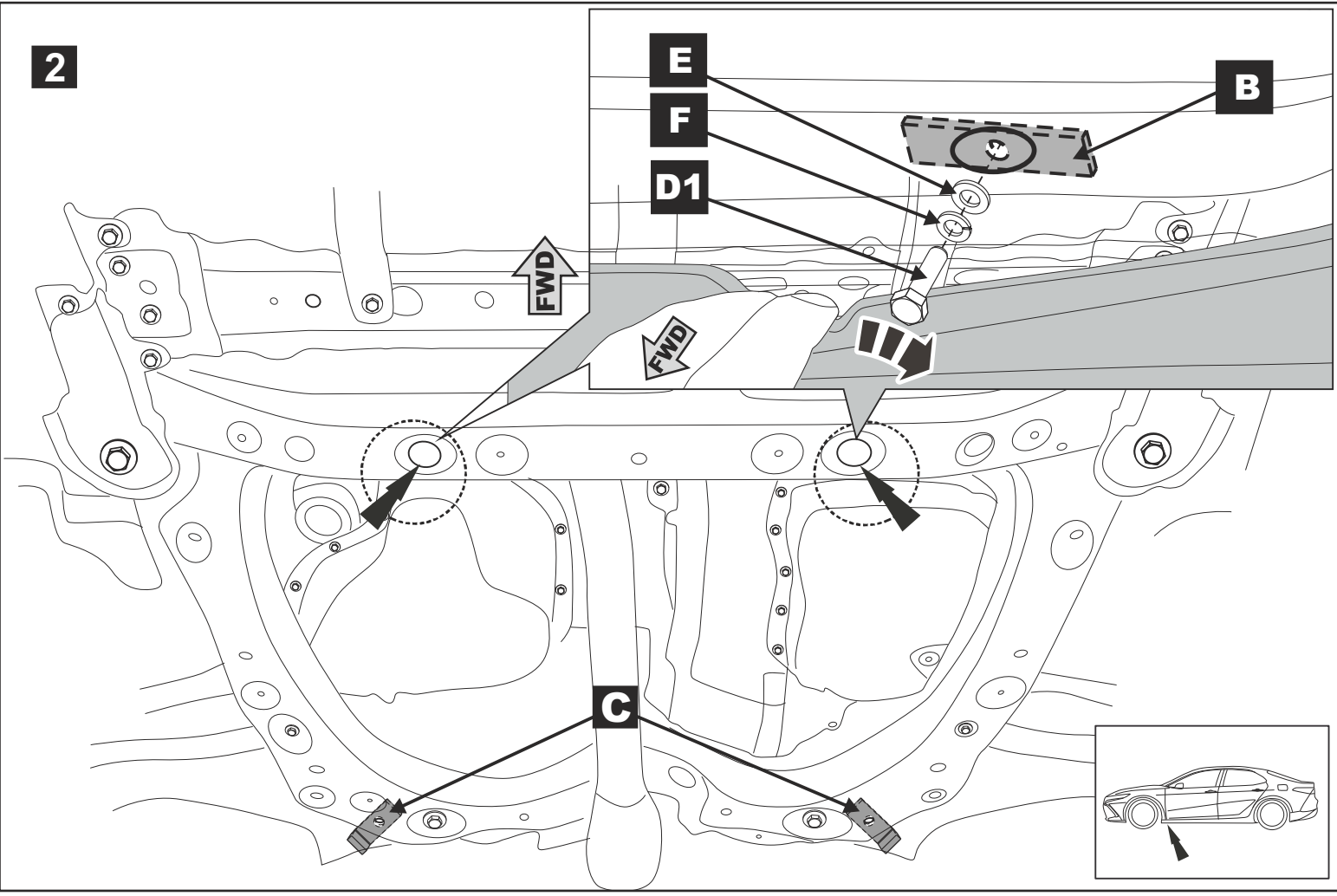
4x



1

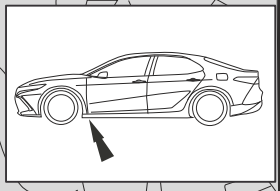


2

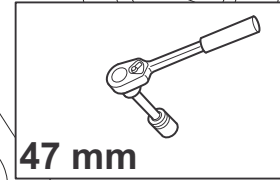
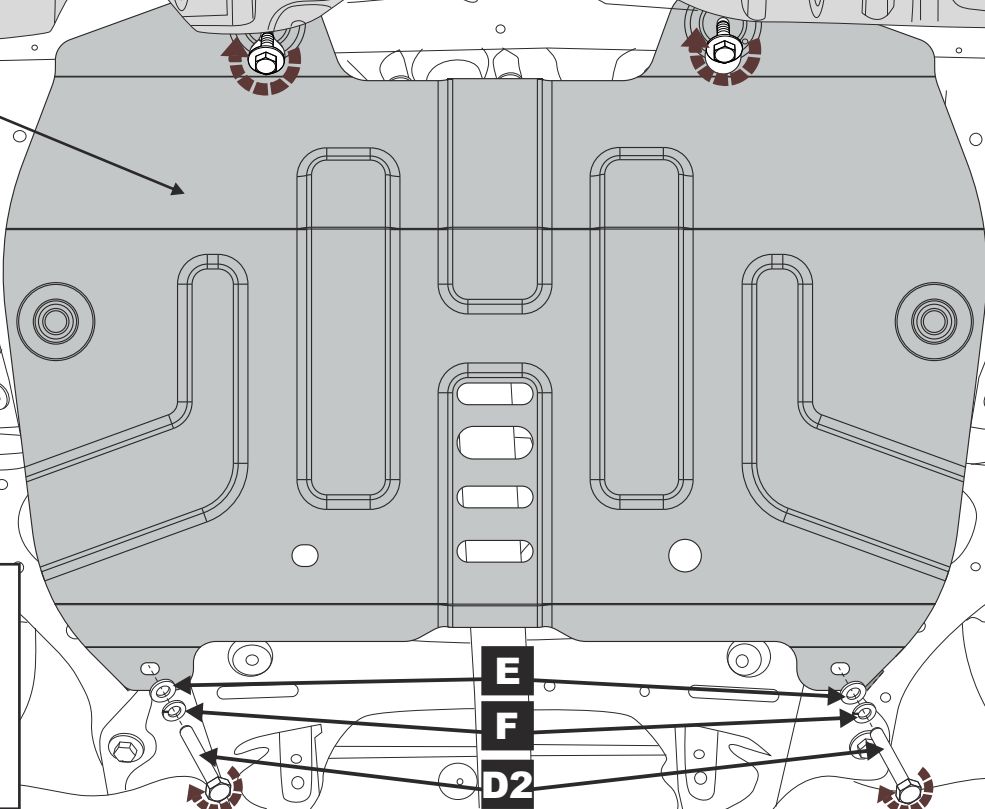


3

FWD



A



4

FWD

